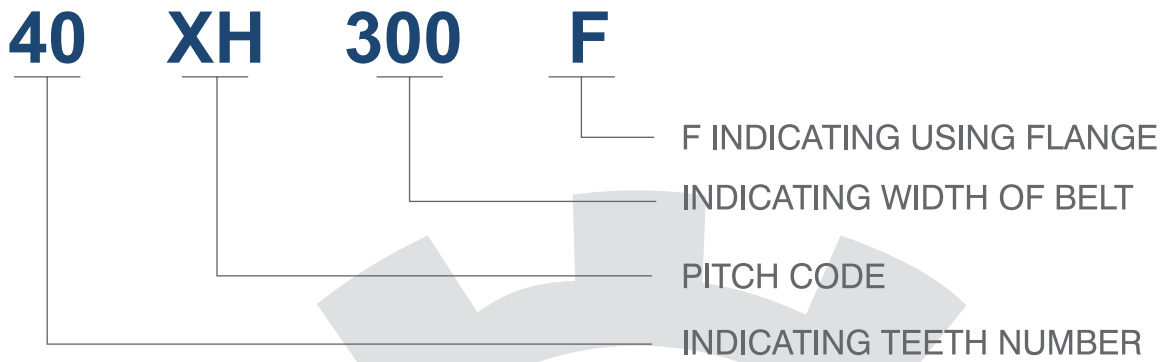


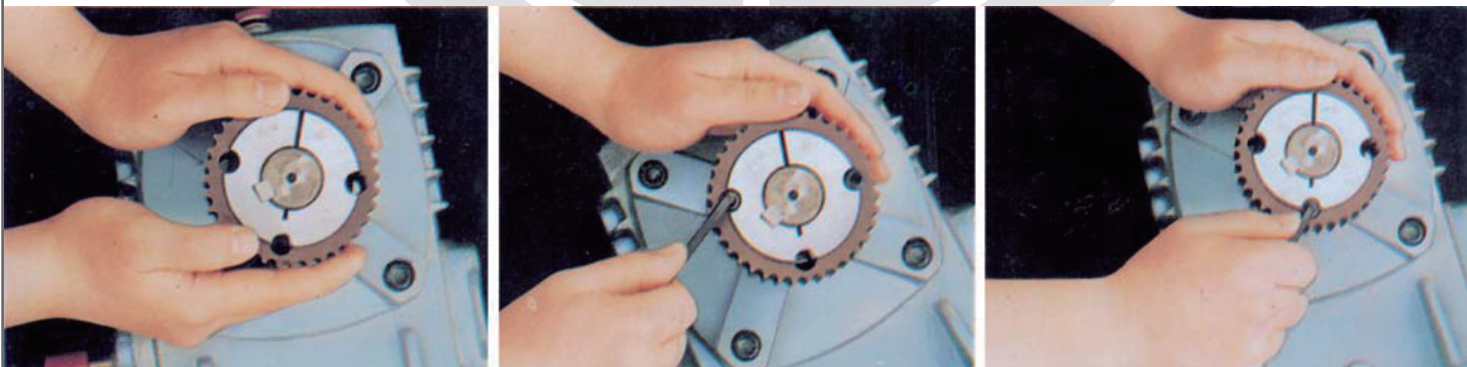
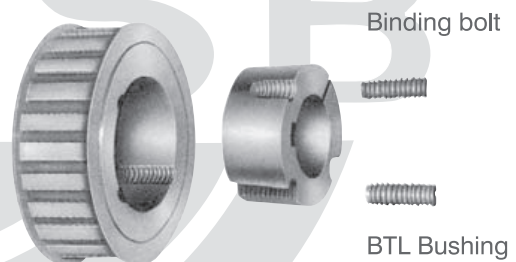
SPECIFICATION AND TYPE FOR TIMING BELT PULLEY

EXAMPLE:



The installation and usage of BTL Taper Bushings and Taper-lock Belt Pulleys

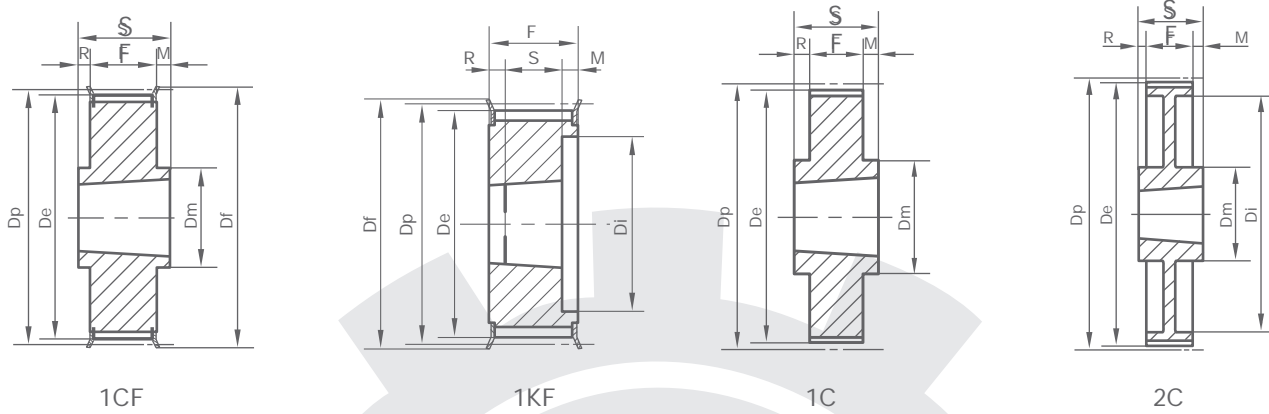
BTL Timing pulley is easy on and off.
It can be used on variable hubs due to BTL
Taper Bushing bores



Place BTL Taper Bushing and Timing Belt Pulley on the transmission shaft.

Insert screws into cap screw bore tighten the symmetrical screws. Then the pulley grips the shaft firmly through the taper surface of the bushing.

Take binding bolt out entirely. Insert it into the threaded holes, tighten it. This makes the bushing easily removed from the Pulley.

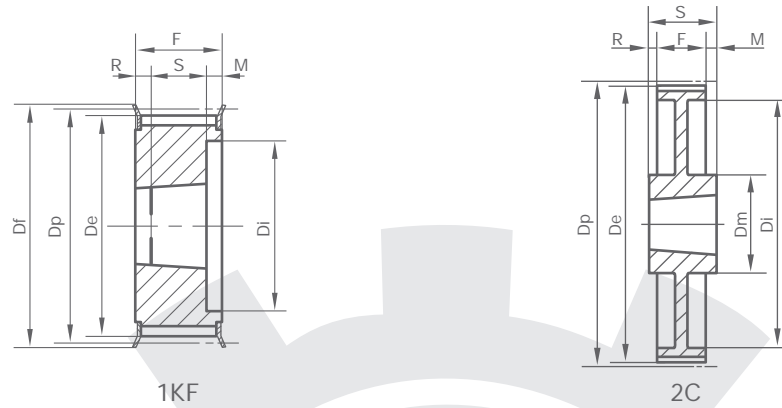


L050 PITCH 3/8" (9.525mm)

SPCFCTN	TYPE	Z	BUSH	Dp	De	Df	Dm	Di	F	S	R	M	wt Lbs
TB18L050F	1CF	18	1008	2.149	2.119	225/64	15/8	—	3/4	7/8	1/8	—	0.45
TB20L050F	1CF	20	1008	2.387	2.357	25/8	113/16	—	3/4	7/8	1/8	—	0.68
TB22L050F	1CF	22	1008	2.626	2.596	27/8	2	—	3/4	7/8	1/8	—	0.90
TB24L050F	1CF	24	1210	2.865	2.835	37/64	21/4	—	3/4	1	1/4	—	1.00
TB26L050F	1CF	26	1210	3.104	3.074	311/32	21/2	—	3/4	1	1/4	—	1.20
TB28L050F	1CF	28	1610	3.342	3.312	337/64	23/4	—	3/4	1	1/4	—	1.40
TB30L050F	1CF	30	1610	3.581	3.551	353/64	27/8	—	3/4	1	1/4	—	1.50
TB32L050F	1CF	32	1610	3.820	3.790	41/16	31/16	—	3/4	1	1/4	—	1.90
TB40L050F	1CF	40	2012	4.775	4.745	51/64	311/16	—	3/4	1 1/4	1/2	—	2.40
TB48L050F	1CF	48	2012	5.730	5.700	61/64	311/16	—	3/4	1 1/4	1/2	—	3.20
TB60L050	2C	60	2012	7.162	7.132	—	43/8	61/2	3/4	1 1/4	1/4	1/4	4.90

L075 PITCH 3/8" (9.525mm)

SPCFCTN	TYPE	Z	BUSH	Dp	De	Df	Dm	Di	F	S	R	M	wt Lbs
TB18L075F	1KF	18	1008	2.149	2.119	225/64	—	—	1	7/8	1/8	—	0.5
TB20L075F	1KF	20	1008	2.387	2.357	25/8	—	—	1	7/8	1/8	—	0.7
TB22L075F	1KF	22	1008	2.626	2.596	27/8	—	—	1	7/8	1/8	—	1.1
TB24L075F	1KF	24	1210	2.865	2.835	37/64	—	—	1	1	—	—	0.9
TB26L075F	1KF	26	1210	3.104	3.074	311/32	—	—	1	1	—	—	1.3
TB28L075F	1KF	28	1610	3.342	3.312	337/64	—	—	1	1	—	—	1.3
TB30L075F	1KF	30	1610	3.581	3.551	353/64	—	—	1	1	—	—	1.6
TB32L075F	1KF	32	1610	3.820	3.790	41/16	—	—	1	1	—	—	1.8
TB40L075F	1CF	40	2012	4.775	4.745	51/64	315/16	—	1	1 1/4	1/4	—	3.6
TB48L075F	1CF	48	2012	5.730	5.700	61/64	315/16	—	1	1 1/4	1/4	—	5.4
TB60L075	1C	60	2012	7.162	7.132	—	43/8	61/2	1	1 1/4	1/8	1/8	7.9



L100 PITCH 3/8" (9.525mm)

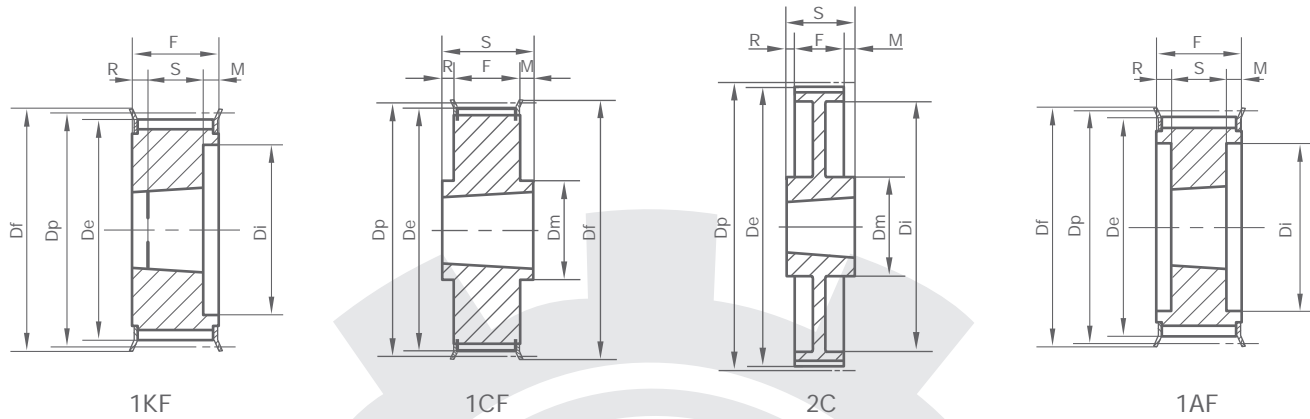
SPCFCTN	TYPE	Z	BUSH	Dp	De	Df	Dm	Di	F	S	R	M	wt Lbs
TB18L100F	1KF	18	1008	2.149	2.119	225/64	—	—	1 1/4	7/8	3/8	—	0.7
TB20L100F	1KF	20	1008	2.387	2.357	25/8	—	—	1 1/4	7/8	3/8	—	1.0
TB22L100F	1KF	22	1008	2.626	2.596	27/8	—	—	1 1/4	7/8	3/8	—	1.3
TB24L100F	1KF	24	1210	2.865	2.835	37/64	—	—	1 1/4	1	1/4	—	1.5
TB26L100F	1KF	26	1210	3.104	3.074	311/32	—	—	1 1/4	1	1/4	—	1.7
TB28L100F	1KF	28	1610	3.342	3.312	337/64	—	—	1 1/4	1	1/4	—	1.9
TB30L100F	1KF	30	1610	3.581	3.551	353/64	—	—	1 1/4	1	1/4	—	2.2
TB32L100F	1KF	32	1610	3.820	3.790	41/16	—	—	1 1/4	1	1/4	—	2.7
TB40L100F	1KF	40	2012	4.775	4.745	51/64	—	—	1 1/4	1 1/4	—	—	3.6
TB48L100F	1KF	48	2012	5.730	5.700	61/64	—	—	1 1/4	1 1/4	—	—	5.1
TB60L100	2C	60	2012	7.162	7.132	—	43/8	61/2	1 1/4	1 1/4	—	—	6.0

Bore Range

Bushings	Bore Range
1008	1/2-1"
1108	1/2-1 1/8"
1210 1215	1/2-1 1/4"
1310	1/2-1 3/8"
1610 1615	1/2-1 5/8"
2012 2017	1/2-2"
2517 2525	1/2-2 1/2"
3020 3030	7/8-3"
3525 3535	1 3/16-3 1/2"
4030 4040	1 7/16-4"
4535 4545	1 15/16-4 1/2"
5040 5050	2 7/16-5"

Standard Keyseats

Bore Range	Keyseat	Bore Range	Keyseat
1/2-9/16	1/8x1/16	25/16-23/4	5/8x5/16
5/8-7/8	3/16x3/32	213/16-31/4	3/4x3/8
15/16-1 1/4	1/4x1/8	35/16-33/4	7/8x7/16
15/16-1 3/8	5/16x5/32	313/16-41/2	1x1/2
1 7/16-1 3/4	3/8x3/16	49/16-5 1/2	1 1/4x5/8
1 13/16-2 1/4	1/2x1/4		

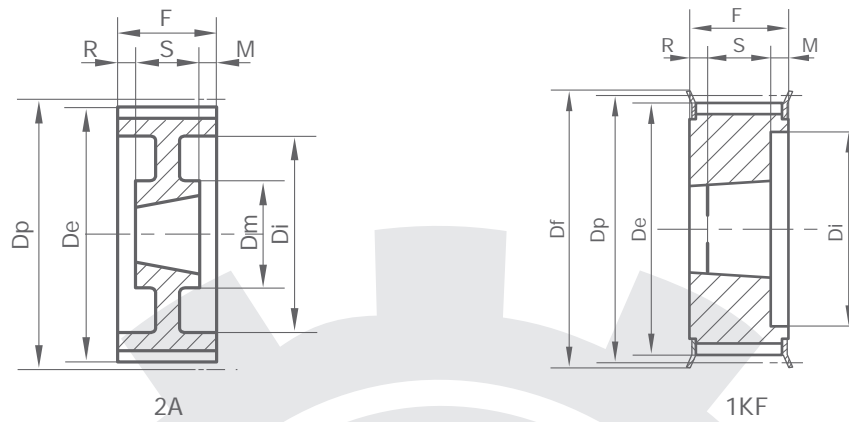


H100 PITCH 1/2" (12.70mm)

SPCFCTN	TYPE	Z	BUSH	Dp	De	Df	Dm	Di	F	S	R	M	wt Lbs
TB14H100F	1KF	14	1008	2.228	2.174	231/64	—	—	15/16	7/8	7/16	—	0.8
TB16H100F	1KF	16	1008	2.546	2.492	251/64	—	—	15/16	7/8	7/16	—	1.3
TB18H100F	1KF	18	1210	2.865	2.811	37/64	—	—	15/16	1	5/16	—	1.4
TB20H100F	1KF	20	1210	3.183	3.129	37/16	—	—	15/16	1	5/16	—	1.7
TB22H100F	1KF	22	1610	3.501	3.447	33/4	—	—	15/16	1	5/16	—	1.8
TB24H100F	1KF	24	1610	3.820	3.766	41/16	—	—	15/16	1	5/16	—	2.3
TB26H100F	1KF	26	2012	4.138	4.084	425/64	—	—	15/16	1 1/4	1/16	—	2.6
TB28H100F	1KF	28	2012	4.456	4.402	445/64	—	—	15/16	1 1/4	1/16	—	2.8
TB30H100F	1KF	30	2012	4.775	4.721	51/64	—	—	15/16	1 1/4	1/16	—	4.2
TB32H100F	1CF	32	2517	5.093	5.039	521/64	47/16	—	15/16	1 3/4	7/16	—	4.3
TB40H100F	1CF	40	2517	6.366	6.312	637/64	47/16	—	15/16	1 3/4	7/16	—	7.8
TB48H100F	1CF	48	2517	7.639	7.585	81/64	47/16	—	15/16	1 3/4	7/16	—	12.1
TB60H100	2C	60	3020	9.549	9.495	—	61/4	83/4	15/16	2	11/32	11/32	13.3

H150 PITCH 1/2" (12.70mm)

SPCFCTN	TYPE	Z	BUSH	Dp	De	Df	Dm	Di	F	S	R	M	wt Lbs
TB14H150F	1KF	14	1008	2.228	2.174	231/64	—	19/16	113/16	7/8	15/32	15/32	1.0
TB16H150F	1KF	16	1008	2.546	2.492	251/64	—	13/4	113/16	7/8	15/32	15/32	1.5
TB18H150F	1KF	18	1215	2.865	2.811	37/64	—	—	113/16	1 1/2	5/16	—	1.6
TB20H150F	1KF	20	1215	3.183	3.129	37/16	—	—	113/16	1 1/2	5/16	—	2.2
TB22H150F	1KF	22	1615	3.501	3.447	33/4	—	—	113/16	1 1/2	5/16	—	2.5
TB24H150F	1KF	24	2012	3.820	3.766	41/16	—	—	113/16	1 1/4	9/16	—	2.7
TB26H150F	1KF	26	2012	4.138	4.084	425/64	—	—	113/16	1 1/4	9/16	—	3.2
TB28H150F	1KF	28	2012	4.456	4.402	445/64	—	—	113/16	1 1/4	9/16	—	4.1
TB30H150F	1KF	30	2012	4.775	4.721	51/64	—	—	113/16	1 1/4	9/16	—	5.1
TB32H150F	1KF	32	2517	5.093	5.039	521/64	—	—	113/16	1 3/4	1/16	—	5.6
TB40H150F	1KF	40	2517	6.366	6.312	637/64	—	—	113/16	1 3/4	1/16	—	8.6
TB48H150F	1AF	48	2517	7.639	7.585	81/64	—	—	113/16	1 3/4	—	1/16	13.6
TB60H150	2C	60	3020	9.549	9.495	—	61/4	83/4	113/16	2	3/32	3/32	14.3



H200 PITCH 1/2" (12.70mm)

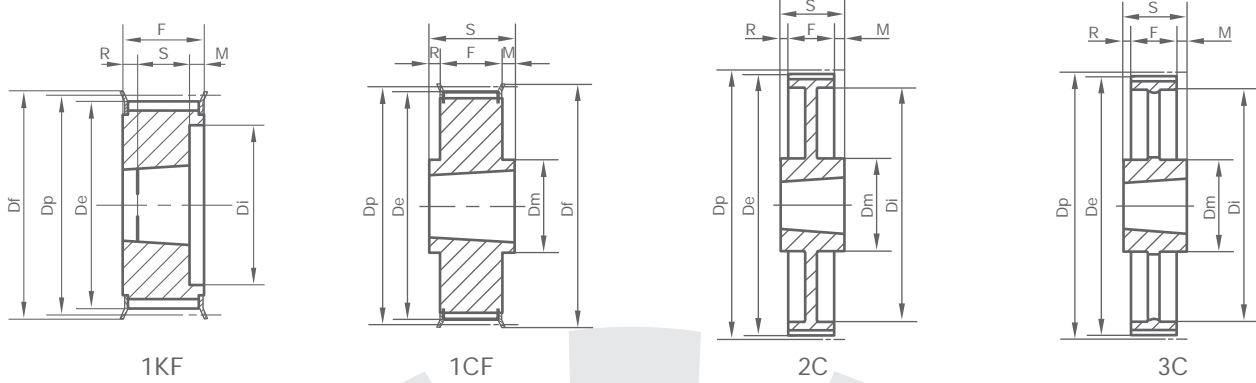
SPCFCTN	TYPE	Z	BUSH	Dp	De	Df	Dm	Di	F	S	R	M	wt Lbs
TB16H200F	1KF	16	1008	2.546	2.492	251/64	—	13/4	211/32	7/8	3/4	23/32	1.9
TB18H200F	1KF	18	1215	2.865	2.811	37/64	—	21/16	211/32	11/2	7/16	13/32	1.8
TB20H200F	1KF	20	1215	3.183	3.129	37/16	—	23/8	211/32	11/2	27/64	27/64	2.6
TB22H200F	1KF	22	1615	3.501	3.447	33/4	—	211/16	211/32	11/2	27/64	27/64	2.8
TB24H200F	1KF	24	2012	3.820	3.766	41/16	—	3	211/32	11/4	35/64	35/64	3.0
TB26H200F	1KF	26	2012	4.138	4.084	425/32	—	35/16	211/32	11/4	35/64	35/64	3.6
TB28H200F	1KF	28	2012	4.456	4.402	445/64	—	35/8	211/32	11/4	35/64	35/64	5.1
TB30H200F	1KF	30	2012	4.775	4.721	51/64	—	37/8	211/32	11/4	13/32	—	7.0
TB32H200F	1KF	32	2517	5.093	5.039	521/64	—	41/4	211/32	13/4	19/32	—	8.5
TB40H200F	1KF	40	2517	6.366	6.312	637/64	—	51/2	211/32	13/4	19/32	—	9.9
TB48H200F	1KF	48	3020	7.639	7.585	81/64	—	611/16	211/32	2	11/32	—	14.3
TB60H200	2A	60	3020	9.549	9.495	—	61/4	83/4	211/32	2	11/64	11/64	15.3

H300 PITCH 1/2" (12.70mm)

SPCFCTN	TYPE	Z	BUSH	Dp	De	Df	Dm	Di	F	S	R	M	wt Lbs
TB18H300F	1KF	18	1215	2.865	2.811	37/64	—	21/16	33/8	11/2	15/16	15/16	2.6
TB20H300F	1KF	20	1215	3.183	3.129	37/16	—	23/8	33/8	11/2	15/16	15/16	3.9
TB22H300F	1KF	22	1615	3.501	3.447	33/4	—	211/16	33/8	11/2	15/16	15/16	4.0
TB24H300F	1KF	24	2012	3.820	3.766	41/16	—	3	33/8	11/4	11/16	11/16	4.3
TB26H300F	1KF	26	2012	4.138	4.084	425/32	—	35/16	33/8	11/4	11/16	11/16	5.4
TB28H300F	1KF	28	2012	4.456	4.402	445/64	—	35/8	33/8	11/4	11/16	11/16	6.8
TB30H300F	1KF	30	2012	4.775	4.721	51/64	—	37/8	33/8	11/4	11/16	11/16	7.5
TB32H300F	1KF	32	2517	5.093	5.039	521/64	—	41/4	33/8	13/4	13/16	13/16	8.4
TB40H300F	1KF	40	2517	6.366	6.312	637/64	—	51/2	33/8	13/4	13/16	13/16	12.1
TB48H300F	1KF	48	3020	7.639	7.585	81/64	—	611/16	33/8	2	11/16	11/16	16.3
TB60H300	2A	60	3020	9.549	9.495	—	61/4	83/4	33/8	2	9/16	9/16	17.8

T_B^{aper} *Timing pulleys*

BTL



XH200 PITCH 7/8" (22.22mm)

SPCFCTN	TYPE	Z	BUSH	Dp	De	Df	Dm	Di	F	S	R	M	wt Lbs
TB22XH200F	1KF	22	2517	6.127	6.017	621/32	—	—	29/16	13/4	13/16	—	10.6
TB24XH200F	1KF	24	3020	6.686	6.576	79/32	—	—	29/16	2	9/16	—	11.3
TB26XH200F	1KF	26	3020	7.241	7.131	725/32	—	—	29/16	2	9/16	—	13.3
TB28XH200F	1CF	28	3535	7.779	7.689	817/64	61/2	—	29/16	31/2	15/16	—	14.5
TB30XH200F	1CF	30	3535	8.356	8.246	91/32	61/2	—	29/16	31/2	15/16	—	18.5
TB32XH200F	1CF	32	3535	8.913	8.803	933/64	61/2	—	29/16	31/2	15/16	—	21.5
TB40XH200F	1CF	40	4040	11.141	11.031	1151/64	81/2	—	29/16	4	17/16	—	37.5
TB48XH200	2C	48	4040	13.369	13.259	—	81/2	12	29/16	4	13/32	23/32	44.5
TB60XH200	3C	60	4040	16.601	16.601	—	81/2	15 5/16	29/16	4	23/32	23/32	49.0

XH300 PITCH 7/8" (22.22mm)

SPCFCTN	TYPE	Z	BUSH	Dp	De	Df	Dm	Di	F	S	R	M	wt Lbs
TB22XH300F	1KF	22	2517	6.127	6.017	621/32	—	411/16	35/8	13/4	15/16	15/16	13.6
TB24XH300F	1KF	24	3020	6.686	6.576	79/32	—	51/4	35/8	2	13/16	13/16	15.3
TB26XH300F	1KF	26	3020	7.241	7.131	725/32	—	513/16	35/8	2	13/16	13/16	17.3
TB28XH300F	1KF	28	3535	7.799	7.689	817/64	—	63/8	35/8	31/2	1/8	—	19.5
TB30XH300F	1KF	30	3535	8.356	8.246	91/32	—	615/16	35/8	31/2	1/8	—	22.5
TB32XH300F	1KF	32	3535	8.913	8.803	933/64	—	71/2	35/8	31/2	1/8	—	26.5
TB40XH300F	1CF	40	4040	11.141	11.031	1151/64	73/4	—	35/8	4	3/8	—	43.5
TB48XH300	2C	48	4040	13.369	13.259	—	81/2	1115/16	35/8	4	3/16	3/16	51.5
TB60XH300	3C	60	4040	16.711	16.601	—	81/2	155/16	35/8	4	3/16	3/16	55.5

Bore Range

Bushings	Bore Range
2012 2017	1/2-2"
2517 2525	1/2-2 1/2"
3020 3030	7/8-3"
3525 3535	13/16-3 1/2"
4030 4040	1 7/16-4"
4535 4545	1 15/16-4 1/2"
5040 5050	2 7/16-5"

Standard Keyseats

Bore Range	Keyseat	Bore Range	Keyseat
1/2-9/16	1/8x1/16	25/16-23/4	5/8x5/16
5/8-7/8	3/16x3/32	213/16-31/4	3/4x3/8
15/16-11/4	1/4x1/8	35/16-33/4	7/8x7/16
15/16-13/8	5/16x5/32	313/16-41/2	1x1/2
17/16-13/4	3/8x3/16	49/16-51/2	1 1/4x5/8
113/16-21/4	1/2x1/4		